

工程机械用

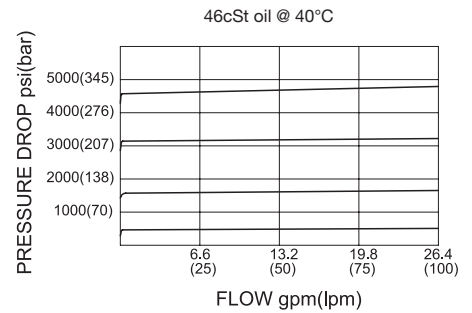
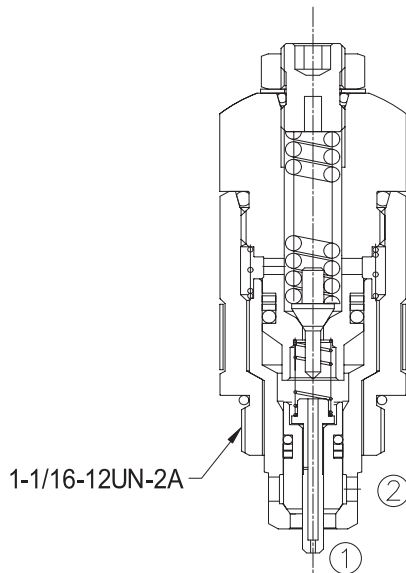
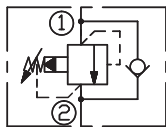
LPOSRV2-12S

过载补油溢流阀

说明 DESCRIPTION

An adjustable, pilot-operated spool-damping style circuit relief anti-cavitation valve.

SYMBOL



Flow:	120L/min
Max. Pressure:	35Mpa
31.8mm HEX Torque:	69-78Nm
Cavity	12S-2, 联系工厂

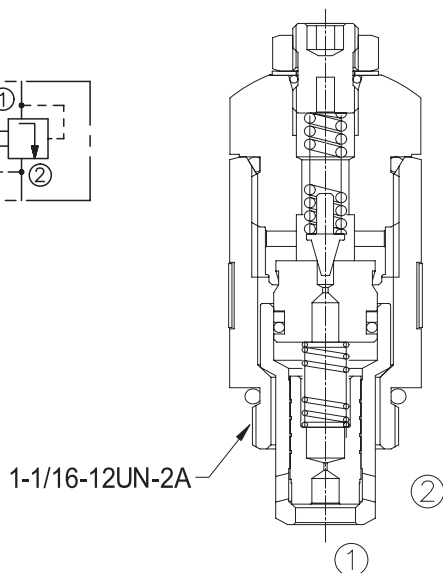
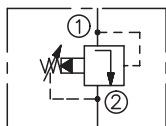
LPOPRV-12S

主溢流阀

说明 DESCRIPTION

A pilot-operated pressure relief valve.

SYMBOL



Flow:	120L/min
Max. Pressure:	35Mpa
31.8mm HEX Torque:	69-78Nm
Cavity	专用插孔, 联系工厂

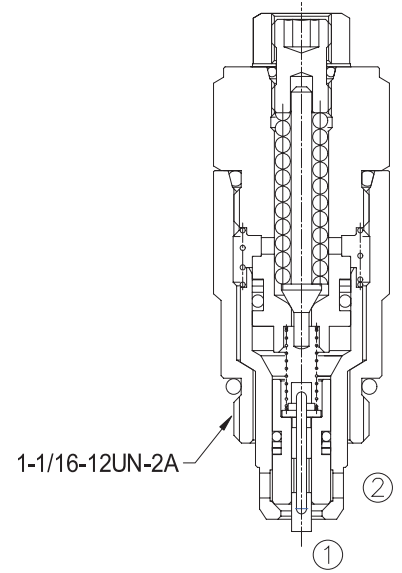
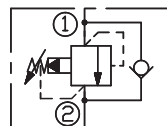
LPOSRV-12S

过载补油溢流阀

说明 DESCRIPTION

An adjustable, pilot-operated spool-damping style circuit relief anti-cavitation valve.

SYMBOL



Flow:	120L/min
Max. Pressure:	42.5Mpa
31.8mm HEX Torque:	69-78Nm
Cavity	专用插孔, 联系工厂