

工程机械用



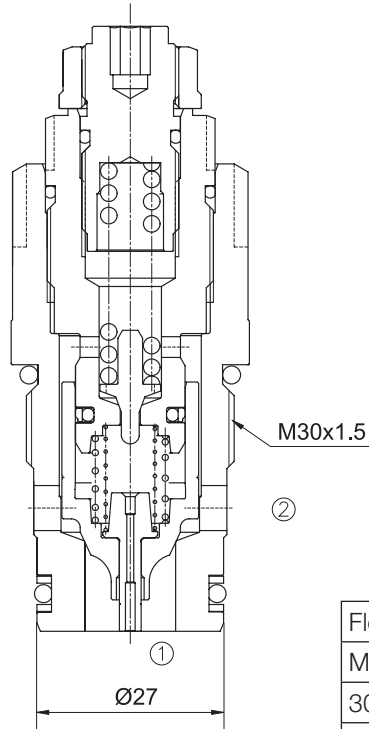
LPOSRV2-M30

先导溢流阀带反向单向阀功能
(补油开启压力 2bar)

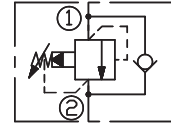
说明 DESCRIPTION

A pilot-operated pressure limitation and feed valve.

先导座阀式溢流阀



SYMBOL



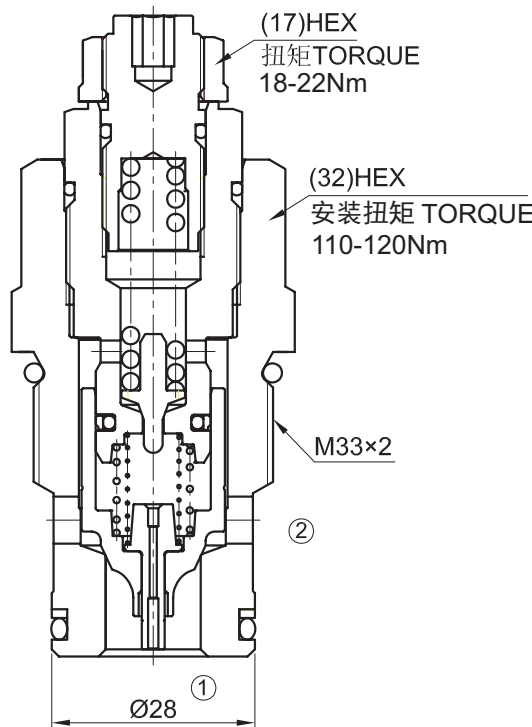
Flow:	200L/min
Max. Pressure:	42Mpa
30mm HEX Torque:	90-100Nm
Cavity:	Rexroth-LG, see page(M-15)

LPOSRV-M33

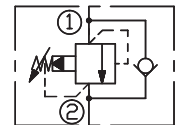
先导溢流阀带反向单向阀功能
(补油开启压力 2bar)

说明 DESCRIPTION

A pilot-operated pressure limitation and feed valve.



SYMBOL



Flow:	200L/min
Max. Pressure:	42Mpa
32mm HEX Torque:	110-120Nm
Cavity:	联系工厂