

工程机械用

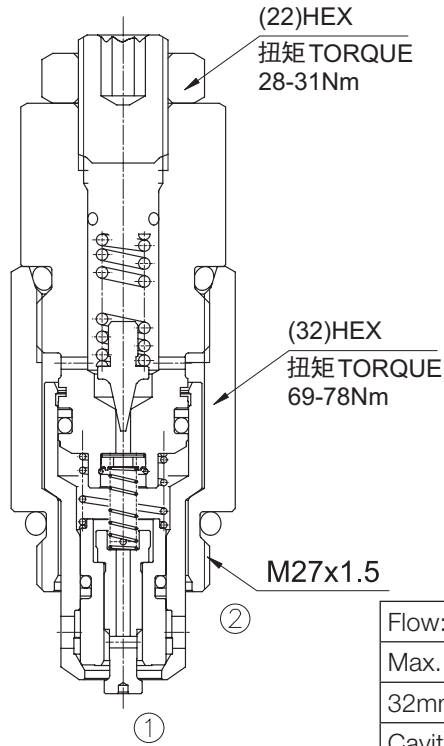


LMHPRN14K-M27

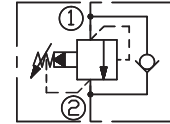
过载补油溢流阀

说明 DESCRIPTION

An adjustable, pilot-operated spool-damping style circuit relief anti-cavitation valve.



SYMBOL



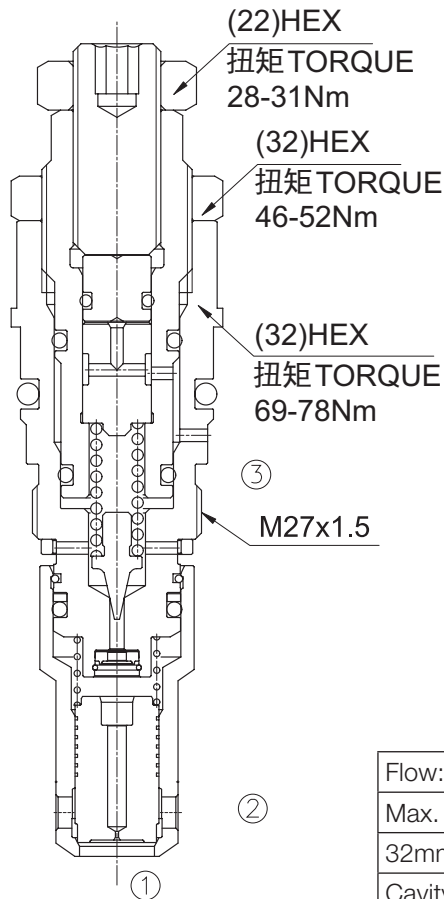
Flow:	160L/min
Max. Pressure:	42Mpa
32mm HEX Torque:	69-78Nm
Cavity:	12M-2, see page(M-18)

LMHPRH14K-M27

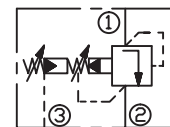
主溢流阀

说明 DESCRIPTION

A pilot-operated pressure relief valve with 2-stage pressure setting.



SYMBOL



Flow:	160L/min
Max. Pressure:	42Mpa
32mm HEX Torque:	69-78Nm
Cavity:	12M-3, see page(M-18)