

LACR.M24

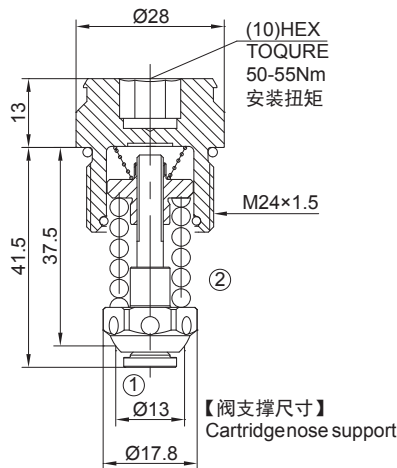
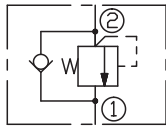
直动式补油溢流阀

说明 DESCRIPTION

A cartridge-style direct-acting poppet-type anti-cavitation relief valve

直动座阀式补油溢流阀

SYMBOL



工作 OPERATION

Flow is free from ① to ② until pressure increases to meet the selected valve setting, allowing relief flow through port ① to tank. This valve combines the typical function of shock relief valve (direct acting) and anticavitation function through the check valve. The direct action and the specific design allow a very fast opening and closing.

Note: to obtain a good leak proof performances coin the cavity seat using a loose valve seat as a coning tool.

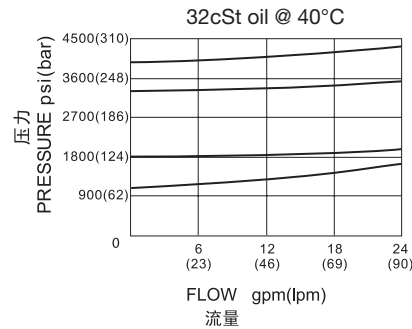
Torque to be applied :6.5 ± 2 Nm.

液体从①口到②口自由流动，直到压力上升到符合所选阀的设置压力，允许通过①口溢流到油箱。结合溢流阀（直动）的典型功能和单向阀的补油功能。直动式和特殊设计使阀芯快速打开和关闭。

注意：为了得到良好的防泄漏性能，使阀座结合活动阀芯作为一个密封副。要运用扭矩：6.5±2Nm 调节，定值设置。

技术参数 SPECIFICATIONS

最大工作压力 (Max.Operating Pressure):	400bar
弹簧调压范围 (Standard Spring Ranges):	90 to 140 bar; 140 to 270bar; 270 to 350bar; 350 to 400bar;
最大流量 (Max. Flow):	90 l/min.
温度 (Temperature):	-40°F to +250°F(-40°C to +120°C)
过滤 (Filtration):	See page (参见) N-1
油液 (Fluids):	Mineral-based fluids with viscosities of 7.4 to 420 cSt.(矿物油粘度)
插孔 (Cavity):	Rexroth-870, See page M-13
阀块材料 (Body Material):	Steel & Ductile iron rated to 350bar 钢和球铁允许使用最大压力350bar



订货代号 TO ORDER

LACR.M24 - ** / ** *

1 2 3 4

1 功能
LACR= 补油溢流阀
Anti-Cavitation Relief Valve

2 规格 Size
M24=M24 规格

3 弹簧调压范围 Spring Ranges
10=1300-2000psi(90-140bar)
20=2000-3900psi(140-270bar)
35=3900-5000psi(270-350bar)
40=5000-5800psi(350-400bar)

4 设定压力 Setting In Bar
空白 Blank= 预设定 Preset
例 Example:070=70bar
固定设置值 psi(bar) Q=10 L/min