

LCV-04-B

单向阀 钢球型



说明 DESCRIPTION

A cartridge-style, ball-type check valve.

球阀式螺纹插装单向阀

工作 OPERATION

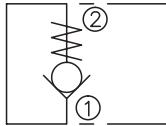
Pressure at ① overcomes the spring-bias ball and allows free flow from ① to ② .

Flow in the opposite direction, from ② to ① ,is blocked by the ball.

当在①口的压力超过开启压力，①到②开启；

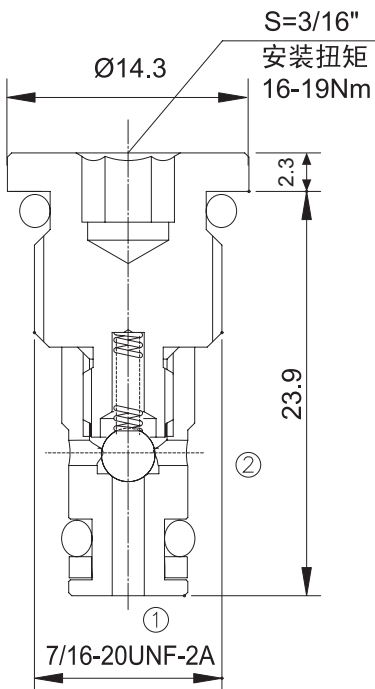
在反方向，②到①关闭。

SYMBOL



技术参数 SPECIFICATIONS

工作压力(Operating Pressure):	250bar
流量(Flow):	See PRESSURE DROP VS.FLOW graph.
内泄漏(Internal Leakage):	2 drops/min(滴/分). max. at 250bar
开启压力(Crack Pressures):	0.3=0.3bar
温度(Temperature):	-40°F to +250°F(-40°C to +120°C)
油液(Fluids):	Mineral-based fluids with viscosities of 7.4 to 420 cSt.(矿物油粘度)
插孔(Cavity):	04-2,See page M-24
阀块材料(Body Material):	Steel & Ductile iron rated to 350bar 钢和球铁允许使用最大压力350bar



压力 - 流量曲线 PRESSURE DROP VS.FLOW

