

LCDAQ

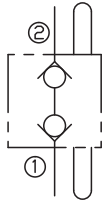
机械操作，背靠背单向阀

说明 DESCRIPTION

A cartridge-style, Mechanically operated, back-to-back check valve

机械操作，背靠背单向阀

SYMBOL



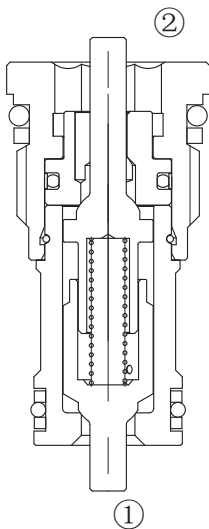
工作 OPERATION

The phaser check is a pair of checks, back-to-back, with both poppets mechanically actuated. The valve is meant to be installed into the piston or rod of a cylinder. When the cylinder reaches the end of its stroke the poppet in the phaser check is shoved off its seat allowing flow through the piston. This allows two cylinders to get back into phase.

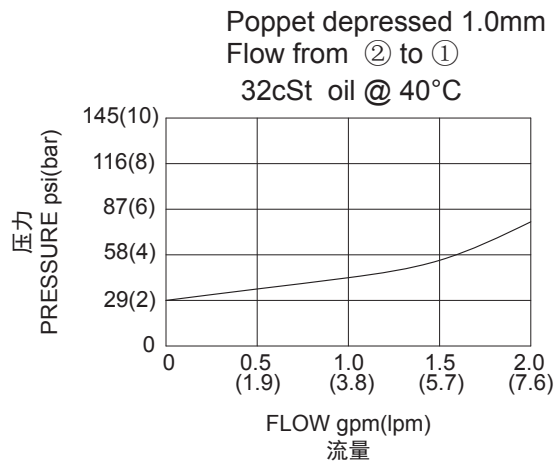
相位单向阀是由一对背靠背单向阀组成并配置两个由机械驱动的阀芯。此阀常安装在液压缸活塞或伸出杆上。当液压缸到达行程终点，相位单向阀的阀芯会被推离阀座从而使液流通过活塞。此阀可以使两个液压缸达到同一个相位。

技术参数 SPECIFICATIONS

最大工作压力 (Max. Operating Pressure):	350bar
流量 (Flow) :	See PRESSURE DROP VS.FLOW graph.
内泄漏 (Internal Leakage):	1 drops/min.(滴/分) max. at 350bar
开启压力 (Crack Pressures):	C=2.0bar
温度 (Temperature):	-40°F to +250°F(-40°C to +120°C)
过滤 (Filtration):	See Page (参见) N-1
油液 (Fluids):	Mineral-based fluids with viscosities of 7.4 to 420 cSt. (矿物油粘度)
插孔 (Cavity):	T-162DP, See page M-29
阀块材料 (Body Material):	Steel & Ductile iron rated to 350bar 钢和球铁允许使用最大压力350bar

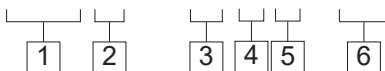


压力 - 流量曲线 PRESSURE DROP VS.FLOW



订货代号 TO ORDER

LCD A Q - M * * - * *



1 功能
LCD= 机械操作, 背对背单向阀
Mechanically Operated, back-to-back
Check Valve

2 流量 Flow
A=4.7L/min

3 控制方式 Control
M= 机械操作 Mechanical Actuation

4 开启压力 Cracking Pressure
C=2.0bar

5 油封 Seal Kits
N= 丁腈橡胶 Buna N
V= 氟橡胶 Viton

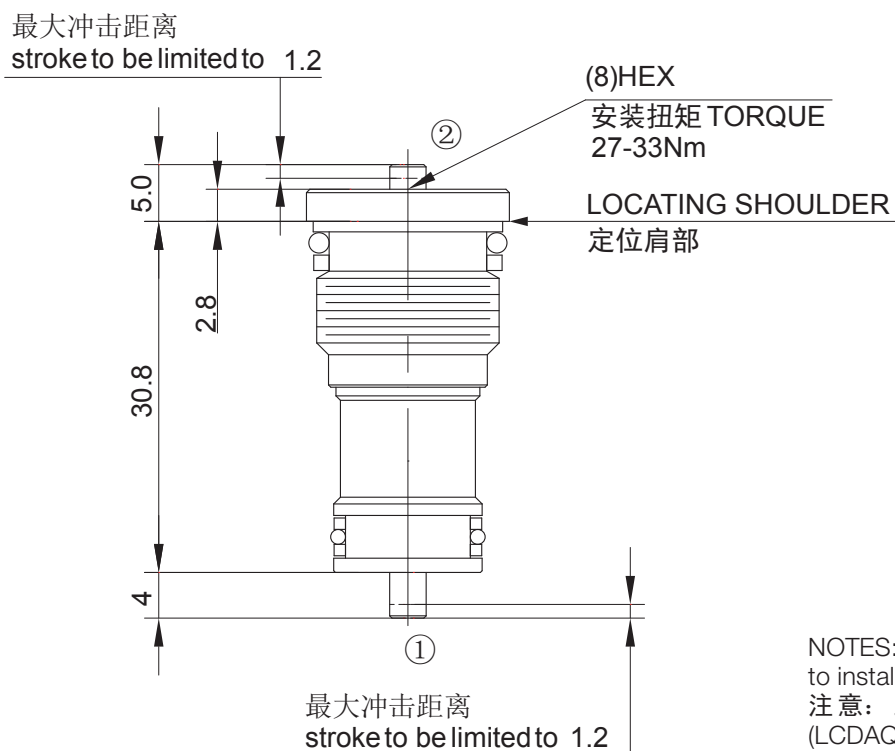
6 阀块油口 Body Porting
空白 Blank= 不带阀块 None
6T=SAE6
8T=SAE8
2G=G 1/4
3G=G 3/8

其它螺纹油口也是可选择的
Other Porting is Available

D

安装尺寸 INSTALLATION DIMENSIONS

Unit=Millimeters



NOTES:A special tool (LCDAQ-TOOL) is required to install this cartridge.
注意: 此阀安装时, 必须使用专用安装工具 (LCDAQ-TOOL) .